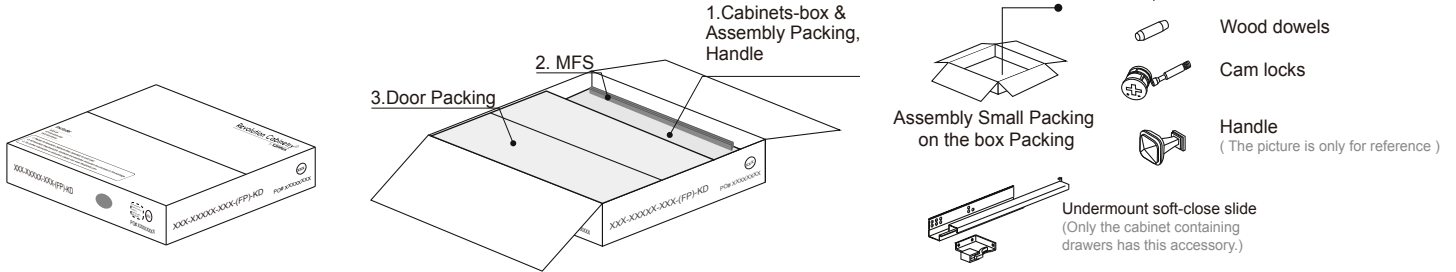


KITCHEN BASE DRAWER CABINET

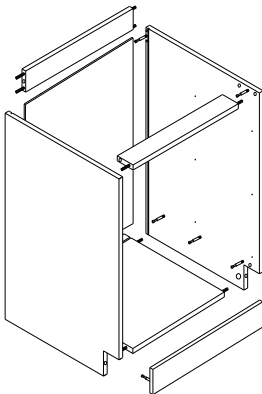
Ready to Assemble — Assembly Instruction
-everything you need is included in this package-

PACKAGE LIST

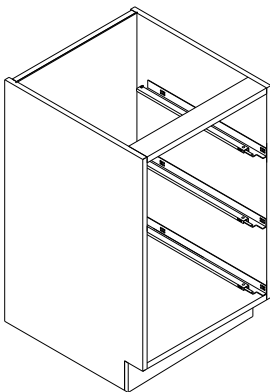


ASSEMBLY STEPS

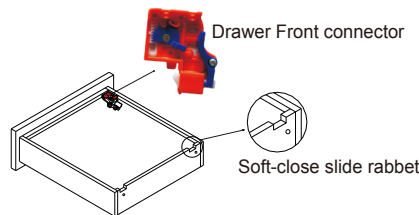
Step 1: Assemble the cabinet using cam locks and wood dowels. Start by screwing in all the male ends of the cam locks and inserting the wooden dowels. When the sides, bottom base and front and back braces are loosely connected, tighten everything with the female part of the cam locks. Finish by sliding the back panel into its groove.



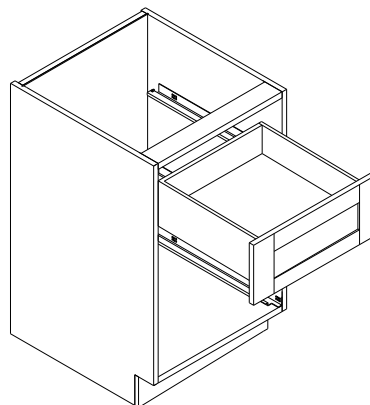
Step 2: Attach the Undermount soft-close slides onto the side panels using the pre-drilled holes and the nickel round head screws.



Step 3: Assemble the drawers and install the drawer front connector on the underside of the bottom panels of the drawers, secure with short screws.



Step 4: Install the drawers. First, extend the arms of the drawer slides and place drawer on top of the extended arms. There is a notch cut into the bottom of each side of the drawer where the arms rest. Reach under and pull the arms to meet the drawer front connector. The arms should slide forward until a "click" is felt. This is a secure connection.



Step 5: After that, a small lever on the drawer front connector can be used to make small adjustments to correct clearance. Check the stability of the cabinet and make adjustments by tightening the cam locks.

